

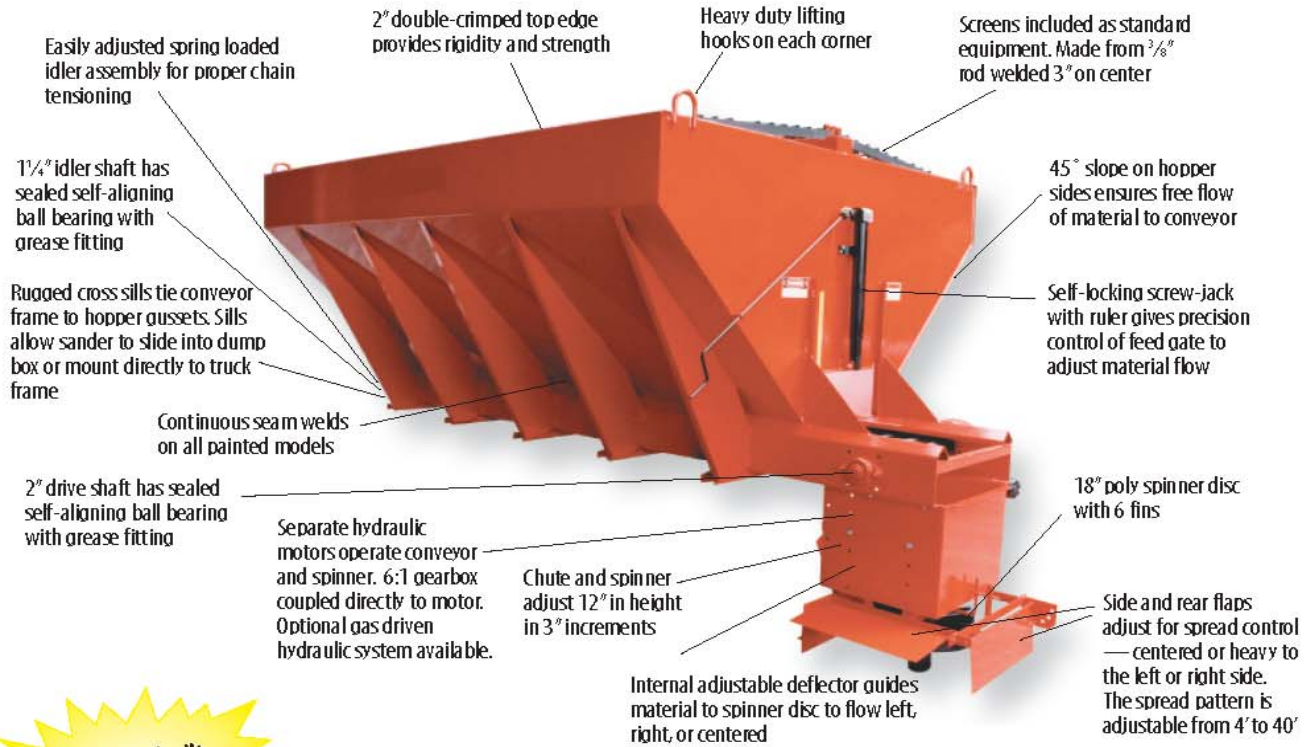
Large Spreaders —

24" conveyors for highway departments and large operators

**4.5 to 15 yd
hydraulic gas
drive available**

The ultimate in spreading power for heavy trucks with 72" – 120" cab-to-axle. Highway departments and large contractors can choose from 4.5 to 15 yard capacity. A screw-jack gives precision control of the feed gate, and adjustable baffles let you

vary the spread pattern. Parts subject to the greatest wear are built tough for longer life, and are designed to be replaceable to extend the life of the sander. All sizes are available in carbon steel (painted highway orange) or Type 304 stainless.



Custom built sanders available — call for details

Drop and lock system for top screen allows easy screen removal, or acts as a hinge so screen can be tipped up

Conveyor floor is replaceable 3/16" abrasion-resistant steel plate.



Heavy duty beam runs front to back in hopper for strength. Heavy angle ties sides and beam together, reinforcing the sides

1 3/4" crossbars every 4 1/2" pull material through hopper to the spinner

Overall conveyor is 24" — chain is protected by built-in chain shields

Note: Features and specifications subject to change

Distributed By:

New England Maintenance Depot LLC
125 Frank B Murray St
Springfield MA 01103
www.beattheice.com

800-942-2473